

NEW PRODUCTS 2011.1

CRAABster



load range up to 160t

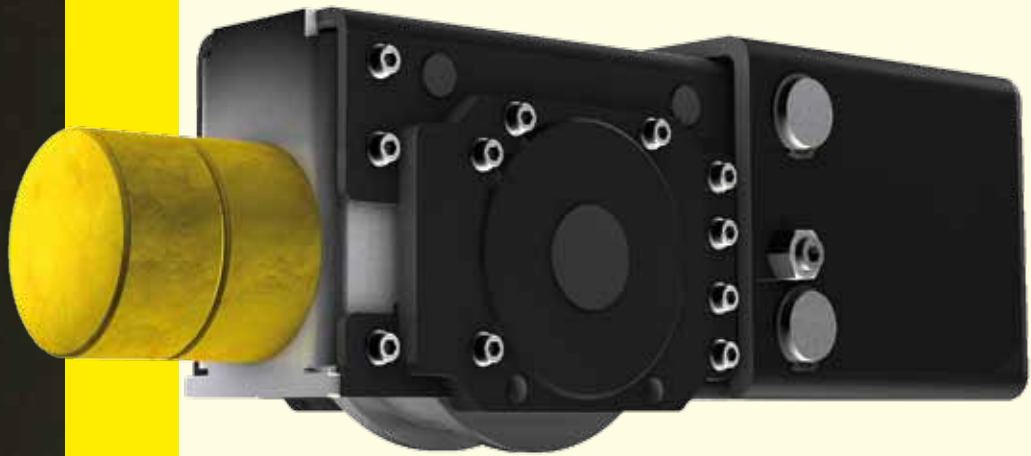


FACTS

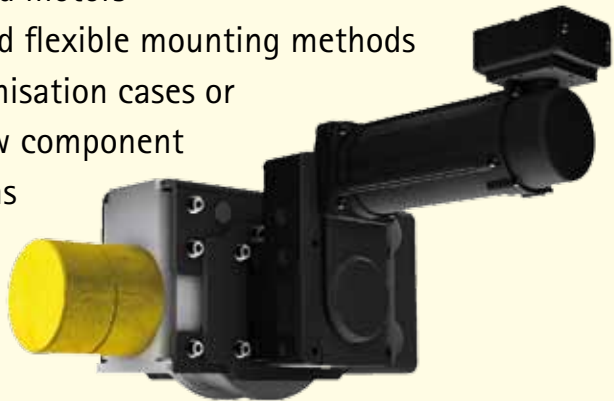
- Wide load range up to 160 t
- Lifting height up to 100 m
- 3 body sizes, CT17, CT17 and CT19
- Foot mounted and double girder trolleys
- Main and Auxilary Hoist
- Inverter Hoisting and Travelling
- Extended Speed Range as Option = Double speed with 20% load
- Crane Kit
- Loads over 160 t by request



BLOCKster



- 6 Wheel sizes
- Diameter 125, 160, 200, 250, 315 and 400 mm
- Wheel loads from 50 kN up to 300 kN
- Standard GES3 / 4 / 5 gears with MF06 inverter motors and 2 speed motors
- Various and flexible mounting methods
- For modernisation cases or special new component applications



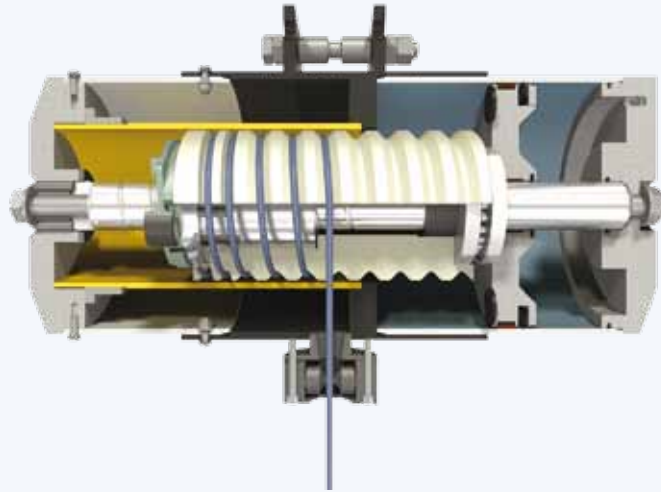
CRAFTster



- Complete range of manual hoists and trolleys
- Standard, Heavy Duty and EX-Proof applications
- MHS Hand chain blocks up to 20 t
- FND / FNH Push and chain driven trolleys up to 20 t
- FKH short headroom trolleys up to 20 t
- BC Beam clamps up to 5 t
- MLP Lever pullers up to 3 t

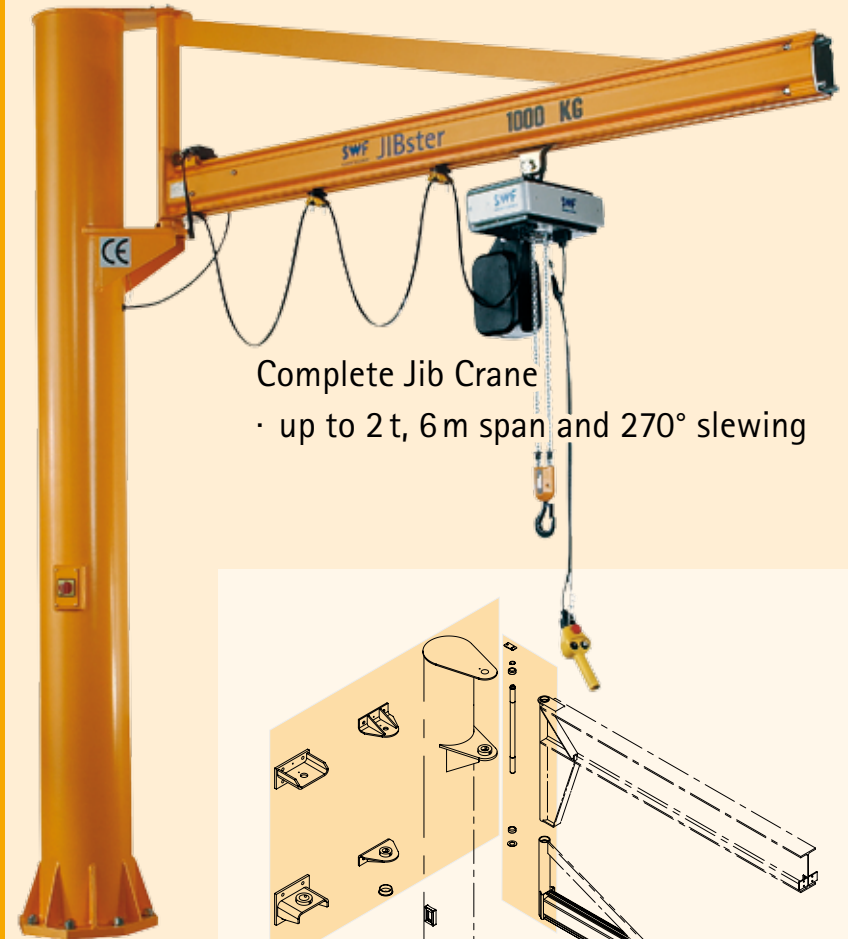


MOVEster

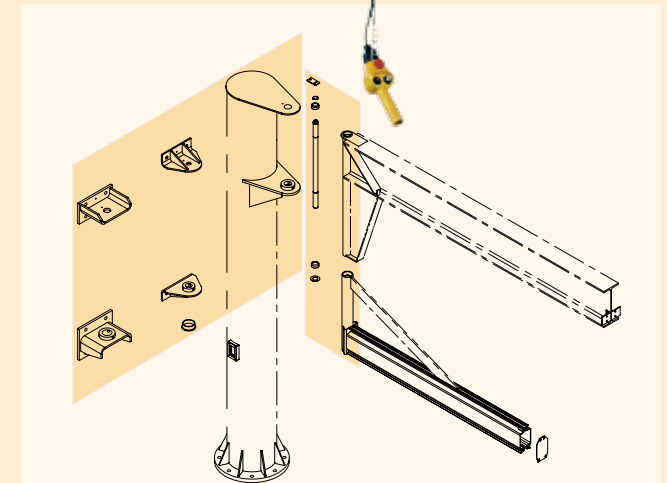


- Air Balancer
- Pneumatic actuated, no electrics at all
- Balancers enable weightless load manipulation
- Fast and smooth load handling
- High variety of inbuild controls
- load range up to 350 kg

JIBster



- Complete Jib Crane
- up to 2 t, 6 m span and 270° slewing



- Crane KIT
- Complete Kits to build Jib cranes
 - With all needed parts, unpainted
 - Except I-profile beams and pillars
 - UKA profile can be ordered separately



NOVA UPGRADE

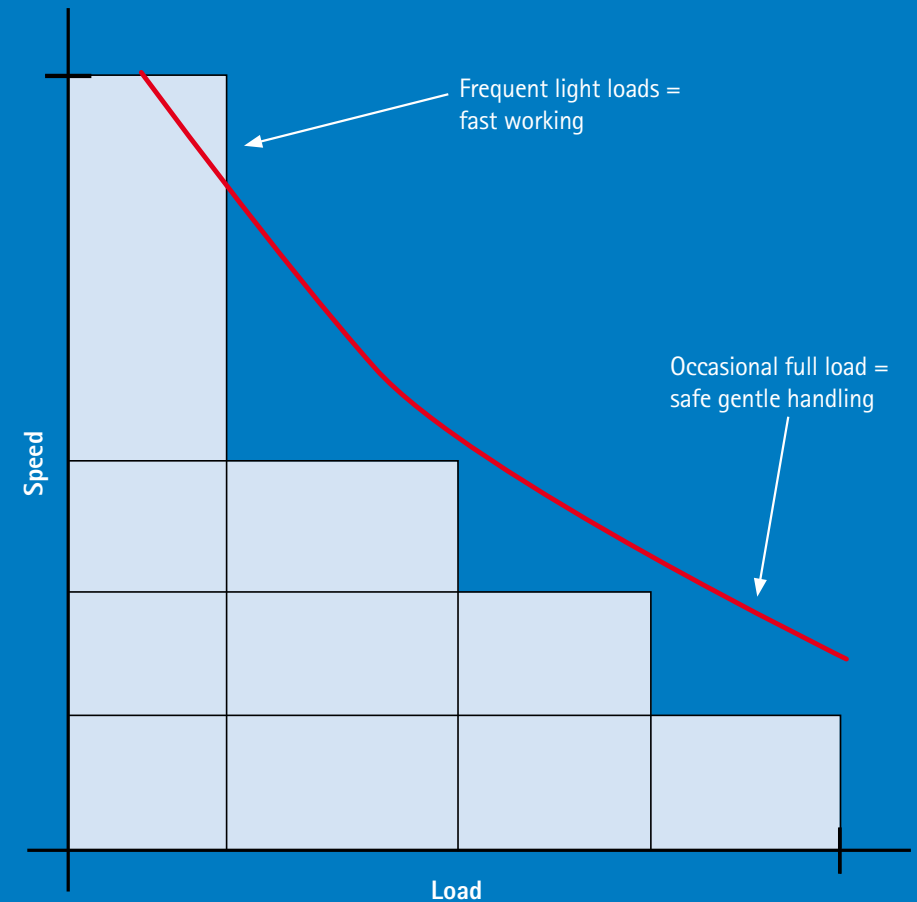
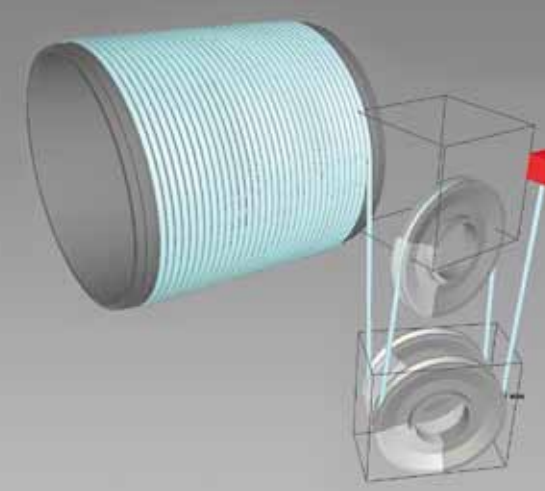
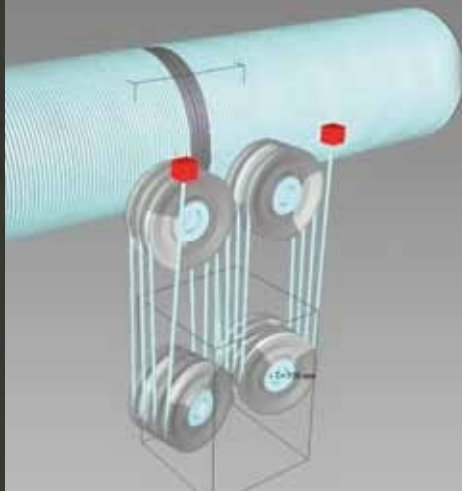


STREAMLINED ELECTRICS

- Thermal protection for hoist and trolley motors as standard
- STROMAG gear limit switch as standard
- New TravelMaster 4 inverter to replace MicroMove
- A + S new inverter technology

UPGRADE

- Facelift
- New Reeving System
- Streamlined Electrics
- A + S Inverter Technology
- TravelMaster 4
- Sway Control



SWF
K R A N T S H A N G H A I

SWF Krantechnik GmbH

Postfach 310410
D-68264 Mannheim
Germany

Boehringer Str. 4
D-68307 Mannheim
Germany

Phone +49(0)621.78990-0
Fax +49(0)621.78990-100

info.de@swfkrantechnik.com
www.swfkrantechnik.com

SWF Hoist (Shanghai) Company Ltd.

Room 6A No. 105
Qi Lian Shan Nan Road
Lane 2891
Shanghai
China 200331

Phone +86-21-36528282
Fax +86-21-36528299

info@swf-hoist.com.cn
www.swf-hoist.com.cn